



# HOME THEATER SYSTEM 5.1.2CH

## Product highlights:

### Power and processing:

- 7-channel amplifier
  - 5 channels rated at 140 watts (Class AB)
  - 2 channels rated at 60 watts (Class D)
- Dolby® and DTS® surround sound decoding
  - Dolby Atmos® and DTS:X processing for use with in-ceiling or "height" speakers for more enveloping home theater sound
- IMAX® Enhanced reproduces the full dynamic range of specially encoded IMAX soundtracks from compatible sources.
- ARC Genesis speaker calibration system helps fine-tune your system to best match your room's acoustics
  - requires installation of free ARC Genesis software on a Mac or PC prior to calibration
- audiophile-grade 32-bit/768kHz DAC (digital to analog converter)
- large front-panel display gives you easy-to-read status updates at a glance

### Digital and streaming music options:

- built-in Bluetooth for wireless music listening with smartphones, tablets, and compatible computers
- built-in Wi-Fi for listening to music from a networked PC, free internet radio, and music services
  - free future firmware update will include support for Spotify® and Roon
- Apple AirPlay 2 lets you stream directly from an iPhone® or iPad® and ask Siri to play Apple Music® (via free future firmware update)
- Google Chromecast for wireless music streaming from compatible devices



**MRX-740 + 702 S3 + HTM71S3 + ASW610 + M-1 + CCM362**

**PACKAGE PRICE**

**P900,000**

Bowers & Wilkins

**A T H E M**



# 5.1.2CH

Overhead speaker setup



**702 S3**  
TowerSpeaker  
30W - 300W into 8Ω



**HTM71 S3**  
CenterSpeaker  
30W - 200W into 8Ω



**MRX-740**  
7.2Ch Receiver  
140 W/Ch into 8Ω



**CCM 362**  
CeilingSpeaker  
80W into 8Ω



**M1**  
RearSpeaker  
20W - 100W into 8Ω

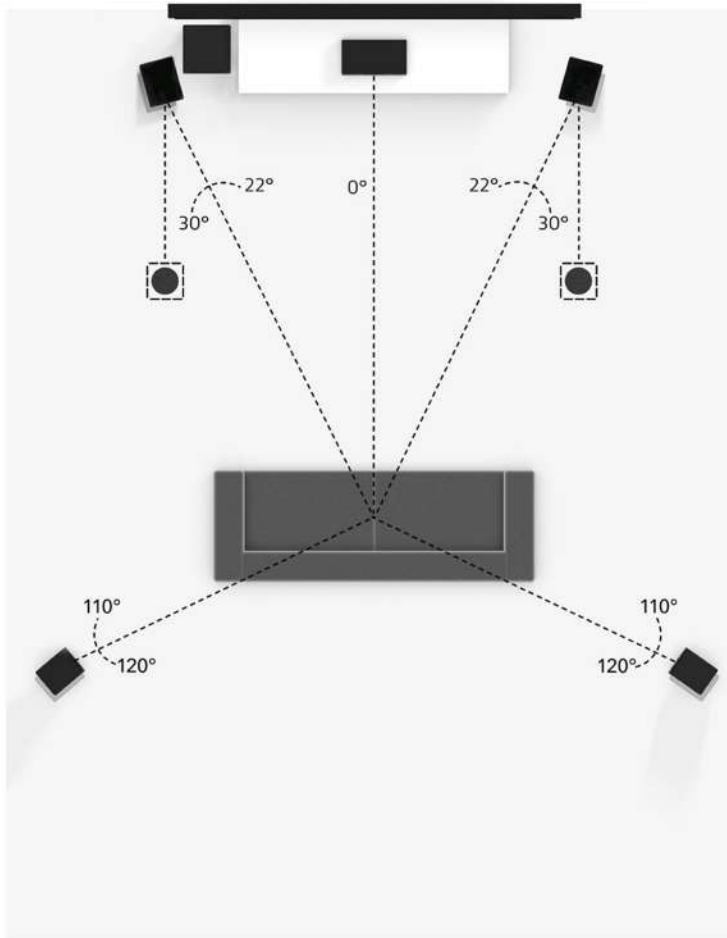


**ASW610**  
Subwoofer  
200-watt

# Home Theater Speaker Guide



Optimize your sound system that includes Dolby Atmos® technology with this step-by-step guide to the best speaker setup.



## 5.1.2 Overhead speakers

1. Seating position
2. Left and right speakers
3. Center speaker
4. Subwoofer
5. Left and right surround speakers
6. Left and right top middle overhead speakers

### Dolby Atmos Speaker Setup: What do these numbers mean?

We recommend you use professional installers who have experience with overhead speakers. If that's not possible, use the charts and the downloadable PDF found on this page to help guide you.

### 5.1.2

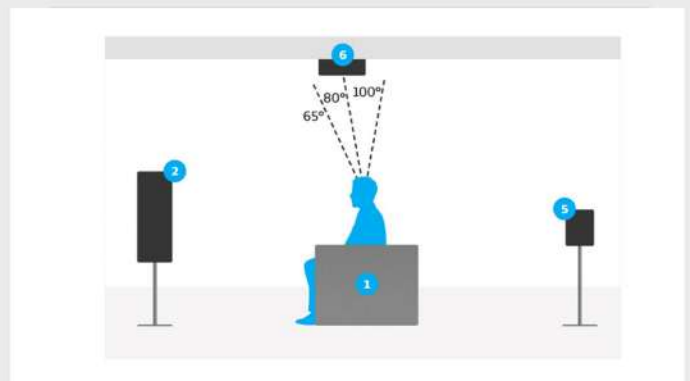
This refers to the number of traditional surround speakers (front, center, surround, etc.)

This refers to the number of overhead speakers connected

This number refers to how many powered subwoofers you can connect to your receiver.



PERSPECTIVE DETAILS FOR 5.1.2 SETUP



VIRTUAL SPEAKER PLACEMENT DETAIL FOR 5.1.2 SETUP