



HOME THEATER SYSTEM 5.1.2CH

PRODUCT HIGHLIGHTS

- 250 W/Ch THX® Certified Select RZ Series Dynamic Audio Amplification
- Wide 5 Hz–100 kHz frequency response
- HDMI® inputs 1–3, Main Out, and Sub/Zone 2 Out (Sub Mode output) support 8K/60p (4:2:0/10-bit), 8K/30p (4:4:4/10-bit), 4K/120p (4:4:4/10-bit) video passthrough
- HDMI terminals* support HDR10+, Dolby Vision™, and BT.2020 color: VRR (Variable Refresh Rate), ALLM (Auto Low Latency Mode), and QFT (Quick Frame Transport) passthrough; eARC (Main Out), and HDCP 2.3
- SMART AV Receiver™ Works with Sonos™, Chromecast built-in™, AirPlay 2, DTS Play-Fi®, Spotify®, Amazon Music HD¹, Pandora®, TIDAL, Deezer, Tunesla™
- Dolby Atmos® and DTS:X® playback (5.2.4-ch)
- 11.2-ch processing and pre-outs for 7.2.4 layouts
- Dolby Atmos Height Virtualizer
- IMAX® Enhanced certified signature sound by DTS:X
- Supports Dirac Live® Room Correction
- AccuReflex™ phase-matching solution for Dolby Atmos enabled speakers
- HDMI Main Out with eARC (enhanced Audio Return Channel)
- HDMI Sub/Zone 2 Out³ connects a second display or projector
- Refined HDMI grounds, isolated SoC board, reinforced power lines
- Quad-core SoC supports 802.11ac (2x2 MIMO) Wi-Fi™
- Dedicated DACs for switching Zone 2 outputs (dedicated), Zone 3 outputs (shared), Zone 2/Zone B and Zone 3 pre-line-outs
- Stereo Assign Mode supports Height-channel playback
- DSP-based Vocal Enhancer improves vocal/dialog audibility
- OSD function shows A/V input/output signal data, playback settings, and network info
- Volume memory presets for A/V inputs via front panel



TX-RZ50 + 703 S3 + HTM71S3 + ASW610 + M-1 + CCM362

PACKAGE PRICE

P620,000

Bowers & Wilkins

ONKYO



5.1.2CH

Overhead speaker setup



703 S3
TowerSpeaker
30W - 200W into 8Ω



HTM71 S3
CenterSpeaker
30W - 200W into 8Ω



TX-RZ50
7.2Ch Receiver
120 W/Ch into 8Ω



CCM 362
CeilingSpeaker
80W into 8Ω



M1
RearSpeaker
20W - 100W into 8Ω

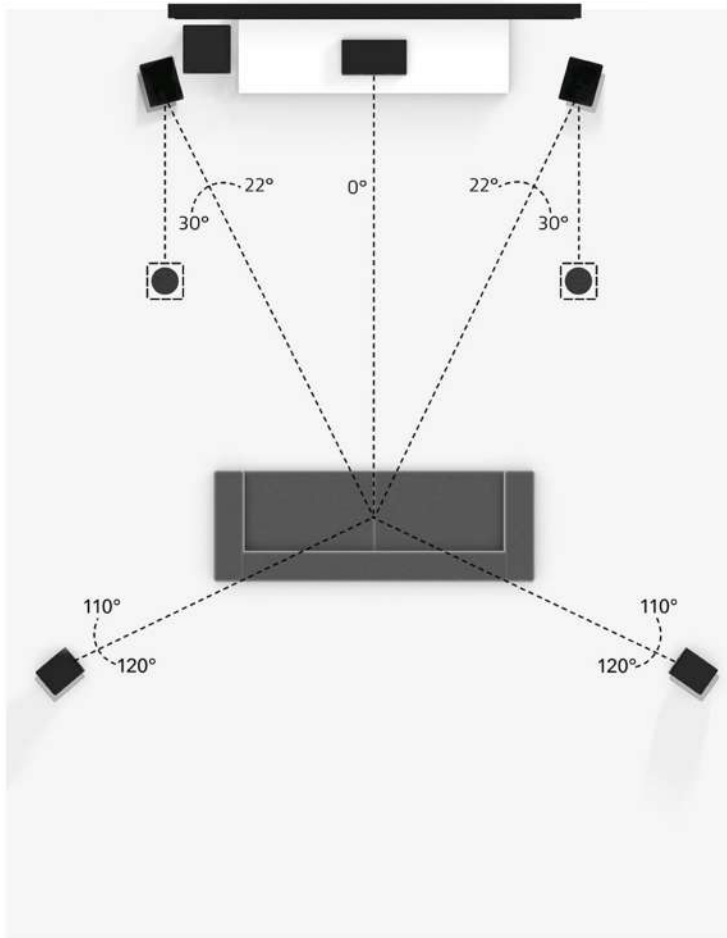


ASW610
Subwoofer
200-watt

Home Theater Speaker Guide



Optimize your sound system that includes Dolby Atmos® technology with this step-by-step guide to the best speaker setup.



5.1.2 Overhead speakers

1. Seating position
2. Left and right speakers
3. Center speaker
4. Subwoofer
5. Left and right surround speakers
6. Left and right top middle overhead speakers

Dolby Atmos Speaker Setup: What do these numbers mean?

We recommend you use professional installers who have experience with overhead speakers. If that's not possible, use the charts and the downloadable PDF found on this page to help guide you.

5.1.2

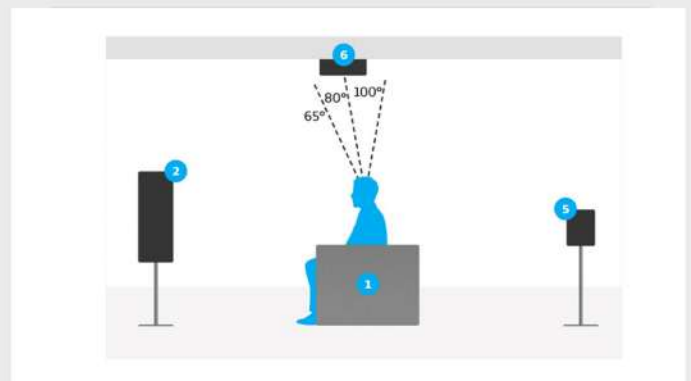
This refers to the number of traditional surround speakers (front, center, surround, etc.)

This refers to the number of overhead speakers connected

This number refers to how many powered subwoofers you can connect to your receiver.



PERSPECTIVE DETAILS FOR 5.1.2 SETUP



VIRTUAL SPEAKER PLACEMENT DETAIL FOR 5.1.2 SETUP