



# HOME THEATER SYSTEM 5.1.2CH

## PRODUCT HIGHLIGHTS

- 5.2.2-ch Dolby Atmos® and DTS:X® playback
- Dolby Atmos Height Virtualizer and DTS Virtual:X™ 3D sound virtualization technologies
- SMART AV Receiver™ Works with Sonos®, Chromecast built-in™, AirPlay 2, and DTS Play-Fi®; includes Spotify®, Amazon Music HD®, TIDAL, Deezer, and TuneIn streaming services¹
- Works with Ok Google or Alexa¹
- Stream over 5 GHz/2.4 GHz dual-band Wi-Fi® supporting the 802.11ac standard²
- HDMI® supports 8K/30p (4:2:0 / 12-bit), 4K/120p (4:2:0 / 12-bit), HDR10+, Dolby Vision and BT.2020 color; VRR (Variable Refresh Rate), ALLM (Auto Low Latency Mode), and QFT (Quick Frame Transport); eARC (Main Out), and HDCP 2.3
- HDMI Sub Out for media transmission to a projector, gaming monitor, or TV
- Send or receive audio via Bluetooth® wireless technology (RX mode: SBC/AAC, TX mode: SBC/Qualcomm® aptX™/aptX HD)
- Zone B pre-/line-out plays MAIN Zone audio to a compatible headphone dock
- Vocal Enhancer, media info and playback status display, and one-touch volume memory-preset functions
- AccuEQ with AccuReflex™ and subwoofer EQ



TX-NR5100 + S805 HCS + S8 ATM + C910

PACKAGE PRICE

**P125,000**

**Jamo**  
"THE SOUND OF EXCELLENCE"

**ONKYO**



# 5.1.2CH

## Surround Sound Setup



**S 805 HCS**  
**5.0Ch Setup**  
Jamo Speaker Setup



**TX-NR5100**  
**7.2Ch Receiver**  
80 W/Ch into 8 $\Omega$



**S8 ATM**  
**Dolby Atmos Speakers**  
50W - 100W into 8 $\Omega$



**C910**  
**Subwoofer**  
200-watt

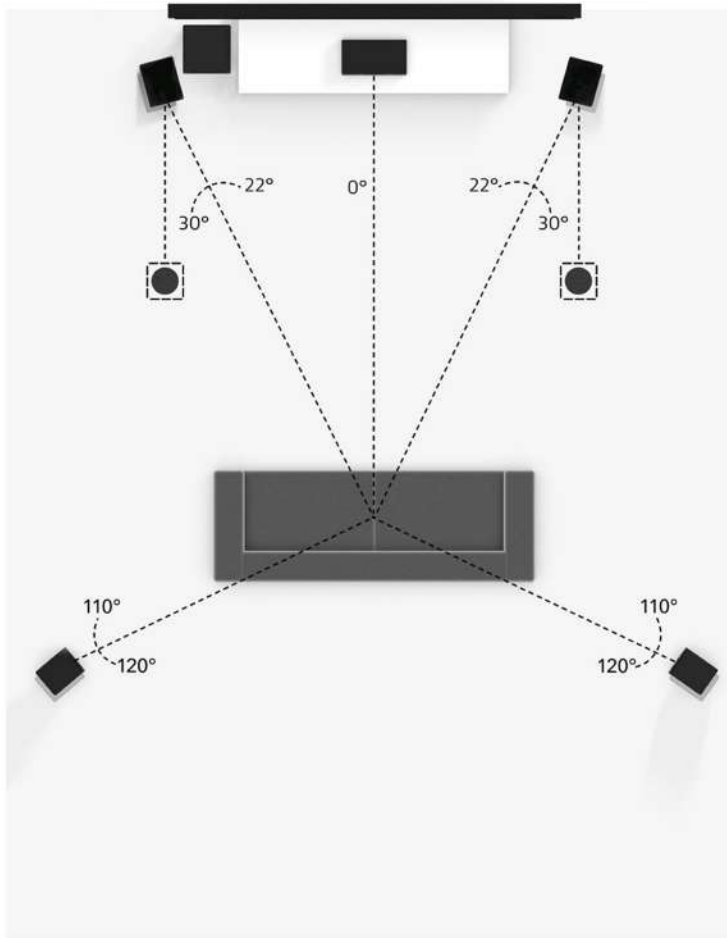
**Jamo**<sup>®</sup>  
"THE SOUND OF EXCELLENCE"

**ONKYO**<sup>®</sup>

# Home Theater Speaker Guide



Optimize your sound system that includes Dolby Atmos® technology with this step-by-step guide to the best speaker setup.



## 5.1.2 Overhead speakers

1. Seating position
2. Left and right speakers
3. Center speaker
4. Subwoofer
5. Left and right surround speakers
6. Left and right top middle overhead speakers

### Dolby Atmos Speaker Setup: What do these numbers mean?

We recommend you use professional installers who have experience with overhead speakers. If that's not possible, use the charts and the downloadable PDF found on this page to help guide you.

### 5.1.2

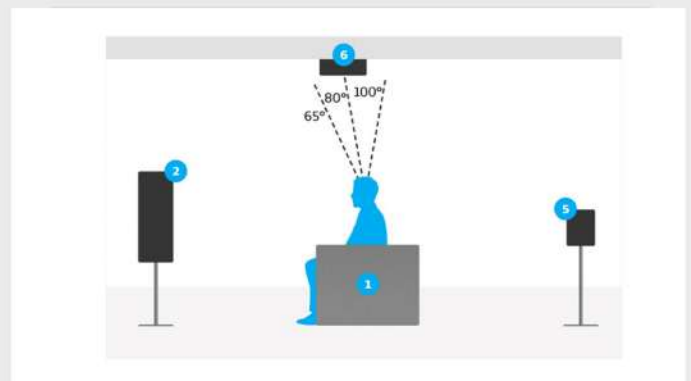
This refers to the number of traditional surround speakers (front, center, surround, etc.)

This refers to the number of overhead speakers connected

This number refers to how many powered subwoofers you can connect to your receiver.



PERSPECTIVE DETAILS FOR 5.1.2 SETUP



VIRTUAL SPEAKER PLACEMENT DETAIL FOR 5.1.2 SETUP