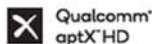




HOME THEATER SYSTEM 5.1.2CH

PRODUCT HIGHLIGHTS

- 210 W/Ch THX® Certified Select DAA system
- 5.2.2-ch Dolby Atmos® and DTS:X® playback
- SMART AV Receiver™ Works with Sonos®, Chromecast built-in™, AirPlay 2, and DTS Play-Fi®; includes Spotify®, Amazon Music HD™, Pandora®, TIDAL, Deezer, and Tunesi streaming services*
- Works with Hey Google or Alexa™
- Stream over 5 GHz/2.4 GHz dual-band Wi-Fi® supporting the 802.11ac standard†
- HDMI® inputs 1-3 and Main/Sub output support 8K/60p(4:2:0/10-bit), 8K/30p(4:4:4/10-bit), 4K/120p(4:4:4/10-bit) video pass through
- HDMI terminals* support HDR10+, Dolby Vision and BT.2020 color; VRR (Variable Refresh Rate), ALLM (Auto Low Latency Mode), and QFT (Quick Frame Transport) passthrough; eARC (Main Out), and HDCP 2.3
- HDMI Sub/Zone 2 Out for media transmission to a projector, gaming monitor, or TV
- Send or receive audio via Bluetooth® wireless technology (RX mode: SBC/AAC, TX mode: SBC/Qualcomm® aptX™/aptX HD)
- Refined chassis, HDMI board, DAC, Digital/Analog inputs, power-amp grounds and power lines
- Dedicated Zone 2 speaker posts for powered D/A audio distribution (including HDMI/SPDIF/NET™) to passive speakers
- Zone 2/Zone B line-out (analog RCA) with Zone 2 DAC supports independent or synced D/A playback (including HDMI/SPDIF/NET™) on compatible audio systems
- AccuEQ with AccuReflex™ and subwoofer EQ



TX-NR6100 + 603 S3 + HTM6 S3 + ASW610 + M-1 + CCM362

PACKAGE PRICE

P330,000

Bowers & Wilkins

ONKYO



5.1.2CH

Overhead speaker setup



603 S3
TowerSpeaker
30W - 200W into 8Ω



HTM6 S3
CenterSpeaker
30W - 120W into 8Ω



TX-NR6100
7.2Ch Receiver
100 W/Ch into 8Ω



CCM 362
CeilingSpeaker
80W into 8Ω



M1
RearSpeaker
20W - 100W into 8Ω

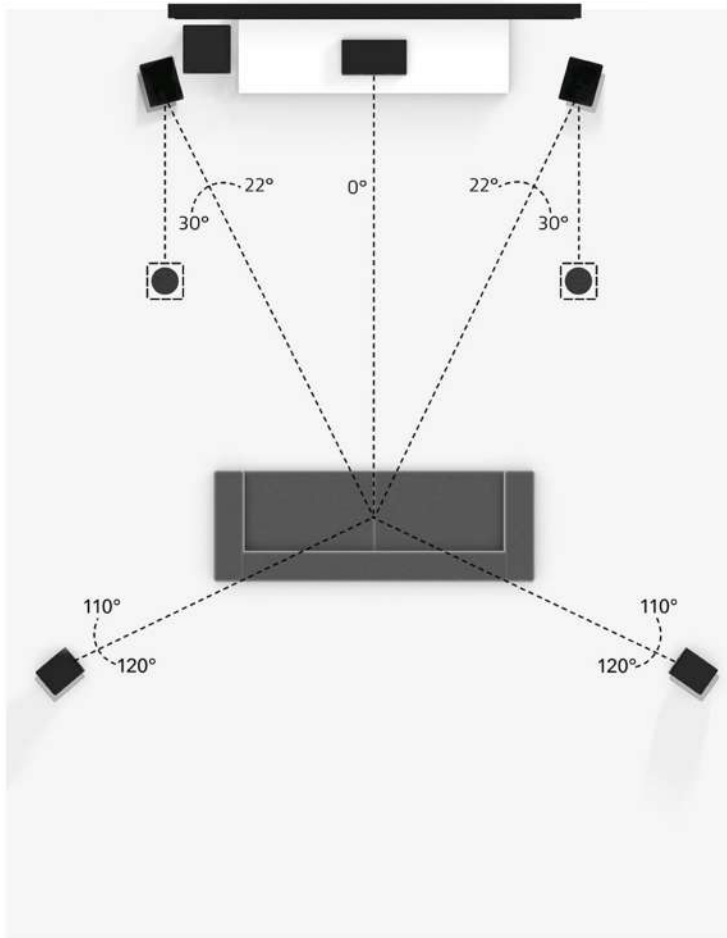


ASW610
Subwoofer
200-watt

Home Theater Speaker Guide



Optimize your sound system that includes Dolby Atmos® technology with this step-by-step guide to the best speaker setup.



5.1.2 Overhead speakers

1. Seating position
2. Left and right speakers
3. Center speaker
4. Subwoofer
5. Left and right surround speakers
6. Left and right top middle overhead speakers

Dolby Atmos Speaker Setup: What do these numbers mean?

We recommend you use professional installers who have experience with overhead speakers. If that's not possible, use the charts and the downloadable PDF found on this page to help guide you.

5.1.2

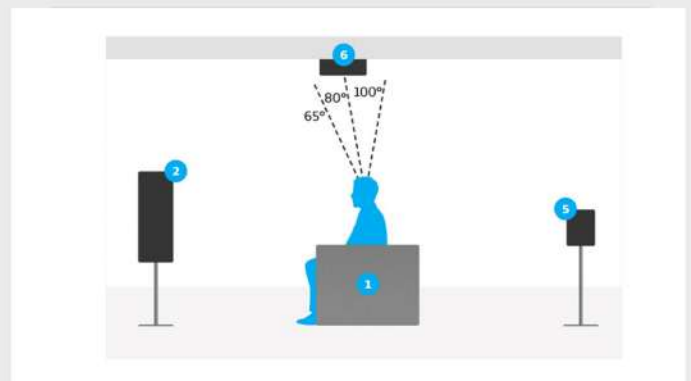
This refers to the number of traditional surround speakers (front, center, surround, etc.)

This refers to the number of overhead speakers connected

This number refers to how many powered subwoofers you can connect to your receiver.



PERSPECTIVE DETAILS FOR 5.1.2 SETUP



VIRTUAL SPEAKER PLACEMENT DETAIL FOR 5.1.2 SETUP